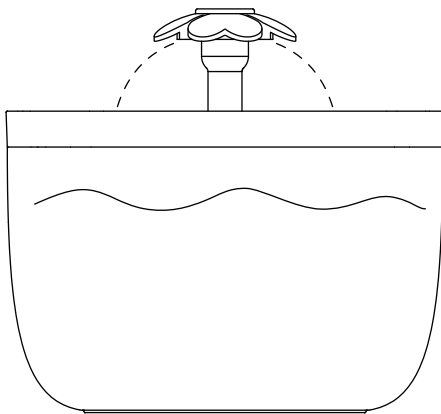


User Manual

Pet Water Fountain



Please read the manual carefully before using this product.

Caution

Read all instructions carefully before attempting to operate this device.

- Intended for use with dogs or cats ONLY.
- For indoor use ONLY!
- To avoid the possibility of the plug or outlet getting wet. Put power adapter in higher position of pet fountain unit.
- Runs on DC 5 V power adapter, other brand power adapter is prohibited.
- Do not allow the water level to fall below the pump, or the pump may run dry and burn out.
- Make sure the cord does not have any frayed or exposed wires due to pet's possibly chewing the cord.
- Place the pet fountain on a protective surface to guard floor against possible water damage from spillage.
- Dispose of all packaging material properly. Some items may be packed in poly bags; these bags could cause

Q&A Troubleshooting

● **How frequently do I need to change the filter?**

The charcoal filter and foam filter should be changed every 2 to 4 weeks, depending on the number of pets using the fountain. Having more pets that use the fountain will increase the saliva content and debris in the water, so the filter will need to be changed more frequently.

● **Why am I finding small black particles in my pet's fountain?**

It is common for some residual charcoal dust to seep from the filter. This is perfectly normal and not harmful to your pet in any manner. To help prevent the charcoal dust from shedding, rinse the filter thoroughly under running water before placing inside the fountain.

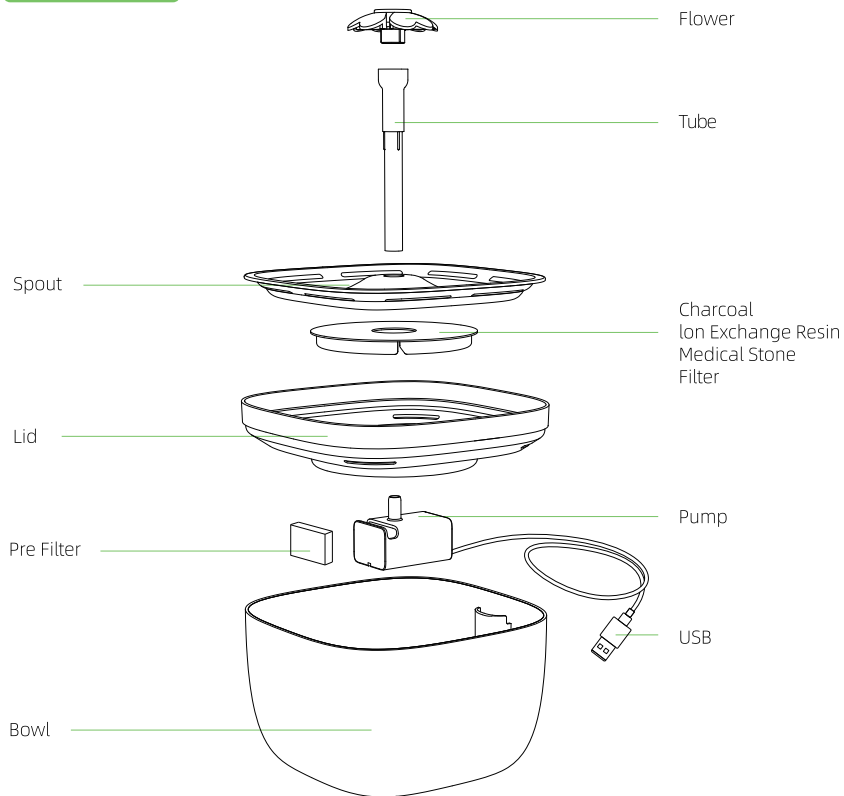
● **How often should I clean the fountain?**

Fountain should be clean at least every two weeks. Please clean it once a week if you living in hard water.

● **Why so many bubbles in the water?**

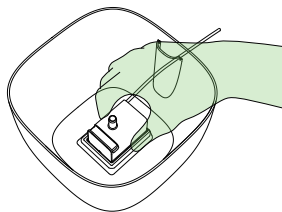
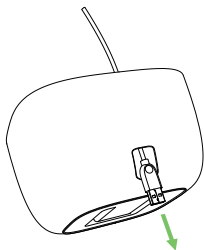
When water level to fall below the pump that the pump sucks in air, creating bubbles.

Components

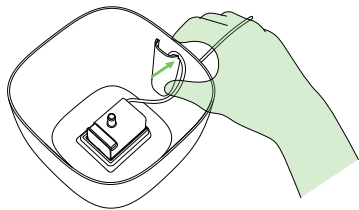


Assemble Pump

① Take the bowl and place the pump inside the square indentation.



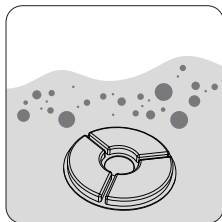
② Feed the in-line plug of the electrical power cord over and through the raised post.



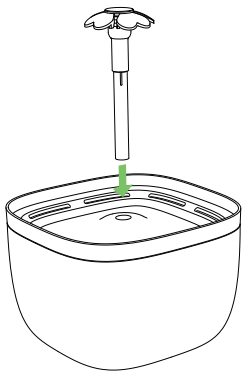
③ Place the power cord into the notch.

Assemble Filter

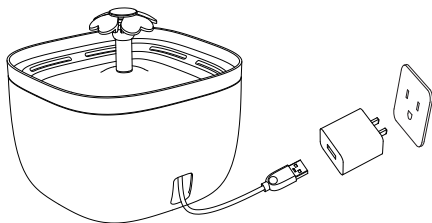
Rinse the filter thoroughly in cold water to help remove any excess and loose charcoal dust.



Assemble Water Faucet and Power ON



Insert the water faucet.



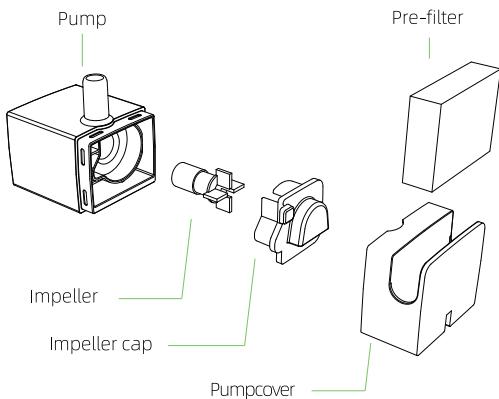
Connect the power adaptor.

Fountain Maintenance

- Power off before fountain clean.
- Clean fountain by water or a foam with neutral detergent.
- Foam filter can only clean by water. Detergent is not allowed.
- Hot water, gasoline, alcohol or organic solvent is not allowed to clean the fountain.
- Dishwasher safe, but excluding pump.

Pump Maintenance

- ① Remove the Pre-filter.
- ② Remove the pumpcover.
- ③ Remove the Impeller cap.
- ④ Remove the Impeller and clean the parts with soap and warm water.



Parameters

Product Name	Pet Water Fountain
Product Model	W7
Dimension	183mm*183mm*170mm
Material	Food-grade PP
NW	Around 0.65KG
Capacity	2.0L
Pets Appliance	Cats & Small size dogs
Power	USB 5V1A
Rated Power	1.5W