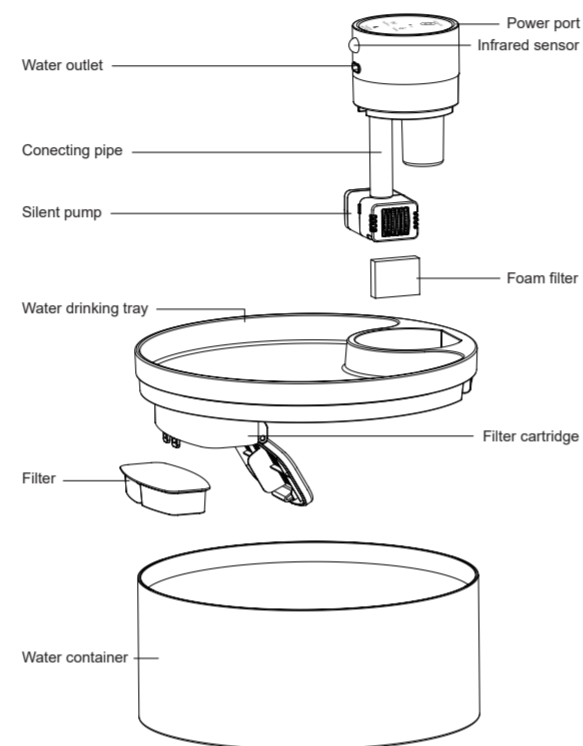


User Manual

Smart Pet Water Fountain

Overview



Installation steps

Step 1 Put the filter in the filter housing and close it.

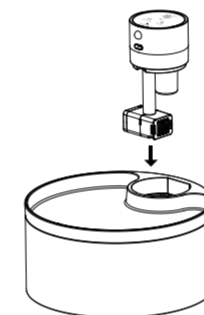


Soak the filter in a clean bowl for 5 minutes.

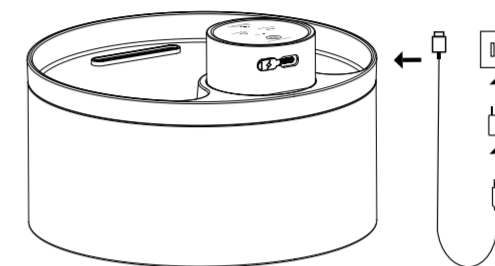
Notes:
1. The filter must be fully soaked before the fountain is turned on; otherwise, the water may not diffuse through the filter and cause overflow.
2. Do not soak the filter in the fountain tank to avoid dust on the surface.



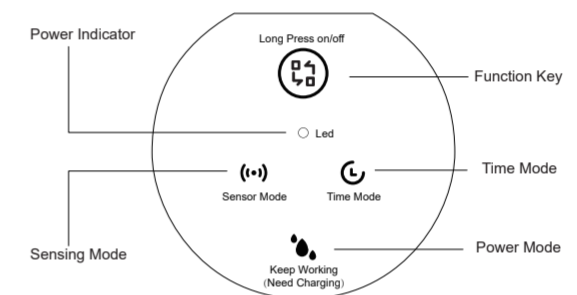
Step 2 Install the silent pump and power port.



Step 3 Connect the power adaptor.



Features



Low water level warning

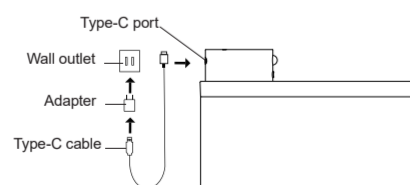
- White light is on:
Water pump in normal operation
- Red light on:
Water shortage reminder, please add water in time

	Long Press on/off	Turn on the product, it will enter sensing mode and the sensing mode indicator will bright up.
	LED	Red indicator: low power Breathing white indicator: charging Constant white indicator: charging completed
	Sensor mode	When a pet comes near, it senses the pet and flows out water, the sensing mode indicator will be constant on.
	Time mode	With battery power supply, the product works in intermittent mode, i.e. water flows out for 15s every 15min, and the cycle repeats itself.
	Keep Working	With wall outlet power supply, the product works in constant mode, i.e. water flows out constantly and the water pump works constantly. (With battery power supply, the product only works in intermittent mode)

Power supply selection

I. Wall outlet

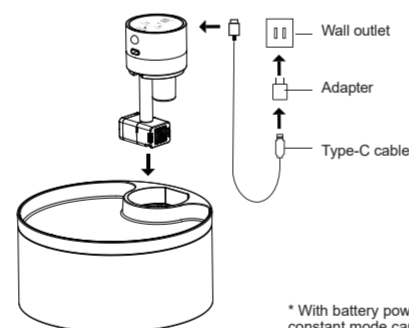
Open the silicone waterproof cover at the power port of the master control module, insert the Type-C connector of the data cable into the power port, insert the other end into the adapter, and then insert the adapter into the wall outlet. Press the power button of the master control module, you can start to use it. (The battery can also be charged. Refer to "power indicator" for charging status.)



* When it is inconvenient to use battery power, please pull out the data cable and close the waterproof cover

II. Battery

The product has a built-in lithium battery. Press the power button of the master control module under sufficient power, you can start to use the product.



* With battery power supply, the constant mode cannot be used.

Maintenance and cleaning

I. Daily cleaning and maintenance

1. Disconnect power supply and turn off the product before cleaning; keep the charging port dry.
2. Take out the filter cotton, filter, filter tray, and rinse them with clean water.
3. Immerse the water container, water tray, filter mesh in water and wash them clean.
4. Do not immerse or wash the master control module, nor clean it in a dishwasher.
5. After cleaning the water container, wipe the charging port clean before connecting power.
6. It is recommended to change the drinking water every 3 days. Clean the product before changing water.

II. Cleaning and maintenance of the water pump

In order to ensure that the water pump can continue to operate normally and maintain its service life, the water pump must be cleaned regularly.

1. Remove the Pump Cover.
 2. Remove the Impeller cap.
 3. Remove the Impeller.
 4. Clean the inside of the water pump and the impeller with the brush.
-

Cautions:

1. Be sure to shut down and disconnect the power supply for safety when the equipment is not in use.
2. This product is for indoor use only.
3. The power adapter and wire plug must not be flooded during cleaning.
4. This product is not allowed to run without water.
5. Please disconnect the power supply before maintaining and cleaning the machine.

Matters needing attention

1. Do not rinse/immerse the master control module with water.
2. Do not wash the product with hot water or clean it in a disinfection cabinet.
3. Before using the product and the filter, please wash them with clean water.
4. Replace the filter regularly, and clean the pump regularly and thoroughly.
5. If the product is not used for a long time, Long Press off and pull out the power cord.
6. Make sure to fully charge the master control module and check the remaining water level when going out on holidays.
7. This product is not a toy. Do not let children play with it. The product contains movable or small parts. Let your pet use it only under your supervision.

FAQ

1. If the water pump has no water flow out?
The water is insufficient - near the lowest water level. Or it is necessary to disassemble the water pump to wash it thoroughly and clamp out the impeller to clean it.
2. The noise increases and the water flow decreases?
Thoroughly wash the water pump, clamp out the impeller to clean it.

Troubleshooting

Issues	Solutions
Water Overflows	Soak the filter in water for 5 minutes and rinse it thoroughly. Filter stuck or not use for a long period, please replace or clean it in time.
Water pump stops running	Water in bowl is below the minimum line Clean the water pump, water bowl and water fountain Unplug or low battery; please make sure the main engine is well assembled and plug in the adapter for checking the battery power as well as charge the battery
Low water flow	When first use or use after a long period storage, water pump needs venting.(Normal phenomenon) Dirt or fur inside of water pump, please clean the water pump follow the instructions. Water in bowl is below the minimum line, please fill the water.
Fouling in water bowl and filter	Please change the water in bowl on a regular basis. Please make sure the filter has been soaked and cleaned thoroughly before using.